

SensoIRIS BSOU IS

Addressable Base with built-in sounder

EN54-3/ 17

Description

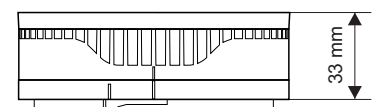
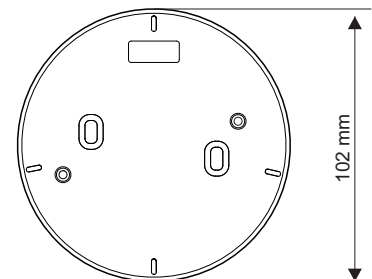
SensoIRIS BSOU IS is an addressable fire base with built in sounder in its body. The base has a built-in isolator module. SensoIRIS BSOU IS is designed for installing in addressable fire alarm systems supporting TTE communication protocol. The device is powered on from the panel and can be controlled via the communication protocol. The device is designed for easy installation and consist from two parts: mounting plane basis and sounder and strobe in a common body with factory mounted fire base.



Technical and Environmental Specifications

Operating Voltage Range	16 - 32VDC
Maximal consumption at communication	470µA@27VDC
Maximal consumption:	
- main tone type 27, low volume level	2,8mA@27VDC
- main tone type 27, high volume level*	9,8mA@27VDC
Power volume (main tone type 27):	
- low volume	~ 92dB(A)±3dB@1m
- high volume*	~ 99dB(A)±4dB@1m
Power volume (other tone types):	
- low volume	82-92dB±3dB@1m
- high volume	90-100dB±3dB@1m
Number of tone types	32
Supported communication protocol	TTE
Wire Gauge for terminals	0,4 - 2.0mm ²
Relative humidity resistance	(93 ± 3)%@+40°C
Protection	IP21C
Weight	127g
Color	White
Material	ABS

* **Note:** Approved to EN54-3 only!



Packing Information

1 units SensoIRIS BSOU IS includes one mounting base and one sounder and strobe base.

- **Packing box** - 1 unit SensoIRIS BSOU IS, dimensions 106x106x46 mm.
- **Carton box** - 62 units SensoIRIS BSOU IS, dimensions 500x367x230 mm.

Compatible Product Range

- **IRIS** - Addressable Fire Panel, 4 loops and 96 zones
- **SIMPO** - Addressable Fire Panel, 2 loops and 16 zones
- **SensoIRIS detectors series** - SensoIRIS T110 (IS), SensoIRIS S130 (IS), SensoIRIS M140 (IS)
- **SensoIRIS Programmer** - Address Programming Tool

Contact Information:

SensoIRIS BSOU IS

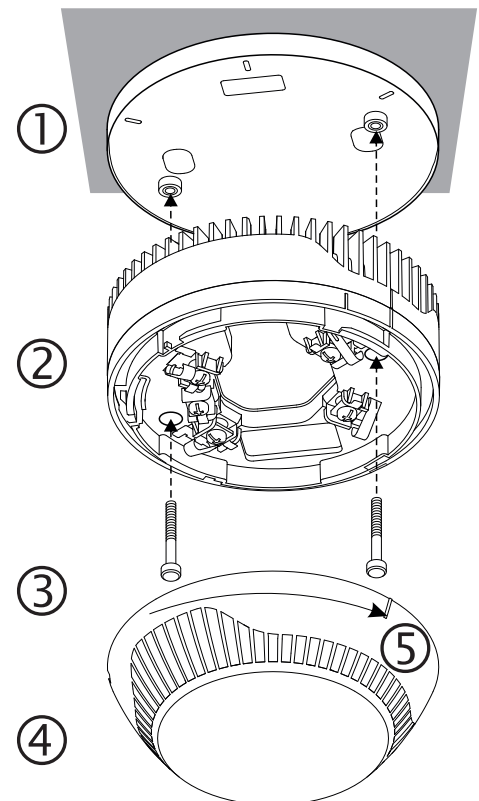
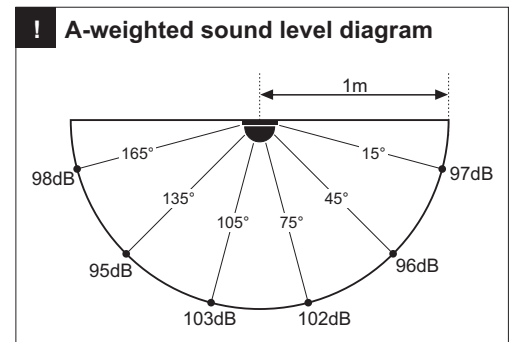
Addressable Base with built-in sounder and strobe

EN54-3/ 17

Supported Tone Types and Description

Tone	Tone Type	Tone Description / Application
1		970Hz
2		800Hz/970Hz @ 2Hz
3		800Hz - 970Hz @ 1Hz
4		970Hz 1s OFF/1s ON
5		970Hz, 0.5s/ 630Hz, 0.5s
6		554Hz, 0.1s/ 440Hz, 0.4s (AFNOR NF S 32 001)
7		500 - 1200Hz, 3.5s/ 0.5s OFF (NEN 2575:2000)
8		420Hz 0.625s ON/0.625s OFF (Australia AS1670 Alert tone)
9		500 - 1200Hz, 0.5s/ 0.5s OFF x 3/1.5s OFF (AS1670 Evacuation)
10		550Hz/440Hz @ 0.5Hz
11		970Hz, 0.5s ON/0.5s OFF x 3/ 1.5s OFF (ISO 8201)
12		2850Hz, 0.5s ON/0.5s OFF x 3/1.5s OFF (ISO 8201)
13		1200Hz - 500Hz @ 1Hz (DIN 33 404)
14		400Hz
15		550Hz, 0.7s/1000Hz, 0.33s
16		1500Hz - 2700Hz @ 3Hz
17		750Hz
18		2400Hz
19		660Hz
20		660Hz 1.8s ON/1.8s OFF
21		660Hz 0.15s ON/0.15s OFF
22		510Hz, 0.25s/ 610Hz, 0.25s
23		800/1000Hz 0.5s each (1Hz)
24		250Hz - 1200Hz @ 12Hz
25		500Hz - 1200Hz @ 0.33Hz
26		2400Hz - 2900Hz @ 9Hz
27*		2400Hz - 2900Hz @ 3Hz (2500Hz - main sound frequency)
28		800Hz - 970Hz @ 100Hz
29		800Hz - 970Hz @ 9Hz
30		800Hz - 970Hz @ 3Hz
31		800Hz, 0.25s ON/1s OFF
32		500Hz - 1200Hz, 3.75s/0.25s OFF (AS2220)

* **Note:** Approved to EN54-3 only!



Note:

Dimensions with mounted detector:
 SensoIRIS T110/S130 . . . 102 x 63mm
 SensoIRIS M140.102 x 70mm

Contact Information: